



TECHNICAL DATA

Voltage			
	<i>nominal</i>	100	<i>kV</i>
	<i>maximum for test</i>	115	
Focal spot ((IEC60336:2005) Same on both filaments		0,7	<i>mm</i>
Filament characteristics Same on both filaments		1,5 ÷ 3,3	<i>V</i>
Maximum grid voltage		2,8 ÷ 4,2	<i>A</i>
Maximum dark current @1800 Vg - 110 kV		2000	<i>V</i>
Anode material		<100	<i>µA</i>
Target angle		Tungsten	<i>°</i>
Anode heat storage capacity		12	<i>J</i>
Maximum anode cooling rate		33000	<i>W</i>
Nominal anode input power at 0.1 s (DC)		280	<i>W</i>
Inherent filtration		1200	
Maximum diameter		0,5 mm Al	
Overall length		50	<i>mm</i>
Weight (without lead shield)		152 max	<i>mm</i>
		360	<i>g</i>

GENERAL INFORMATIONS

When mounting tube inserts adopt proper caution, in order to avoid glass bulb breaking and fragments projection. Please use protective gloves and glasses.

Tube insert connected to H.V. supply is a radiation source: be sure to take all necessary safety cautions

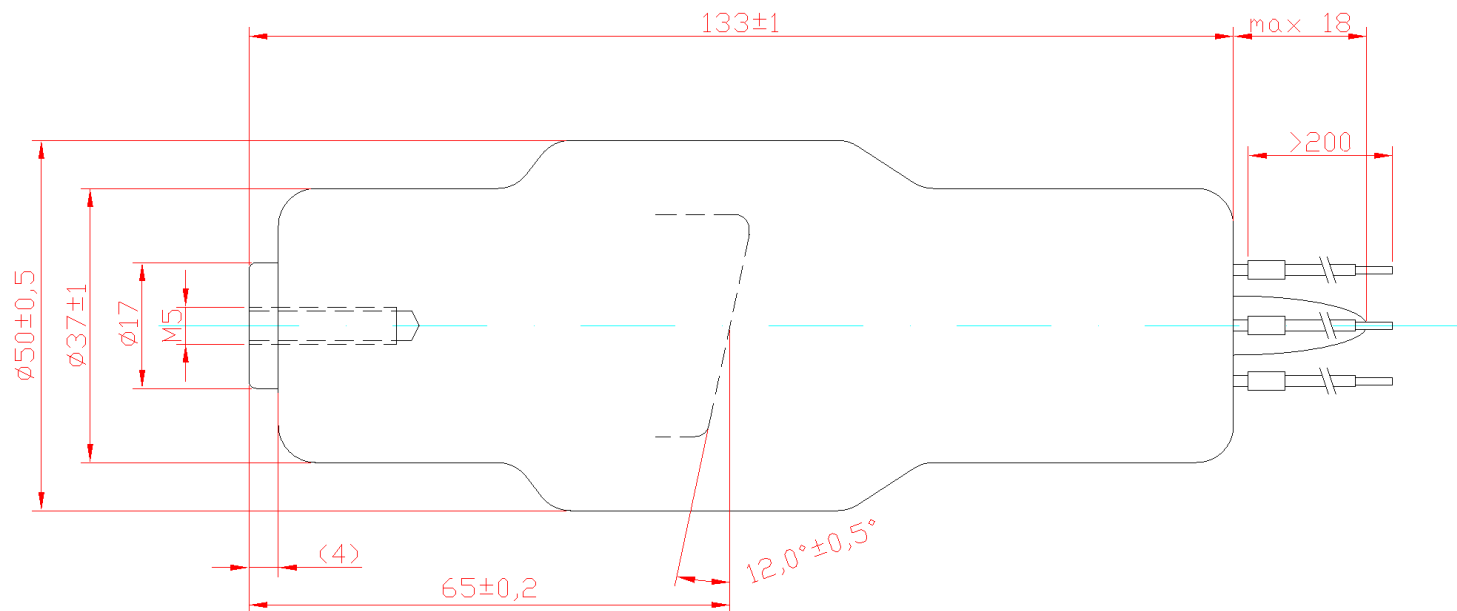
- Wash thoroughly with alcohol the external surface of tube insert (care of fire risk). Remove any labels on the glass bulb. Avoid contact of dirty surfaces with cleaned tube insert.
- Clamp system inside housing or self-contained units must not mechanically stress the tube.
- After installation, check the right working of the tube (no fluctuation of tube current nor crackling)
- Comply with insert thermal parameters, planning and programming the exposure parameters and cooling pauses. Housing or self-contained units must be provided with an adequate thermic protection.
- Voltages indicated in charts are valid for transformer supplied with ground center.
- Tube inserts contain environment polluting materials, particularly lead liner tubes. Please apply to qualified operator for waste disposal, according to local regulation requirements.

INCIDENT REPORT ACCORDING TO 93/42/EEC MEDICAL DEVICES DIRECTIVE

In order to comply with CE marking requirements, end users have to report to local Competent Authority all the informations about possible incidents involving the device, regarding any deterioration in its characteristics and performances, as well as any inaccuracies in this documentation, which might lead to or might have led to the death of patient / user or a deterioration in his state of health. This information must be promptly reported also to C.E.I. in order to start manufacturer reporting, as per above mentioned directive.



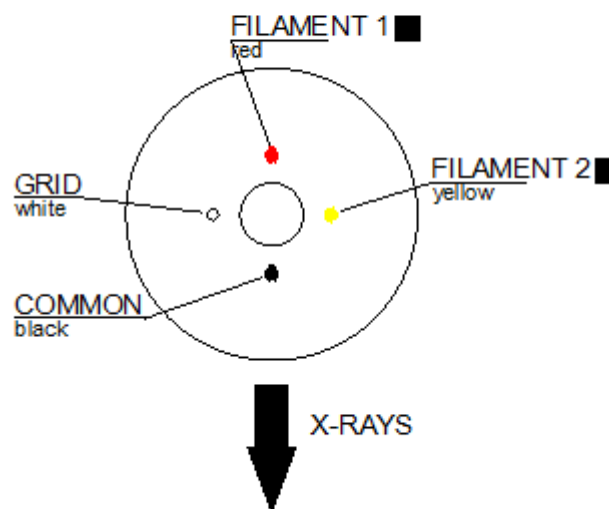
DIMENSIONS





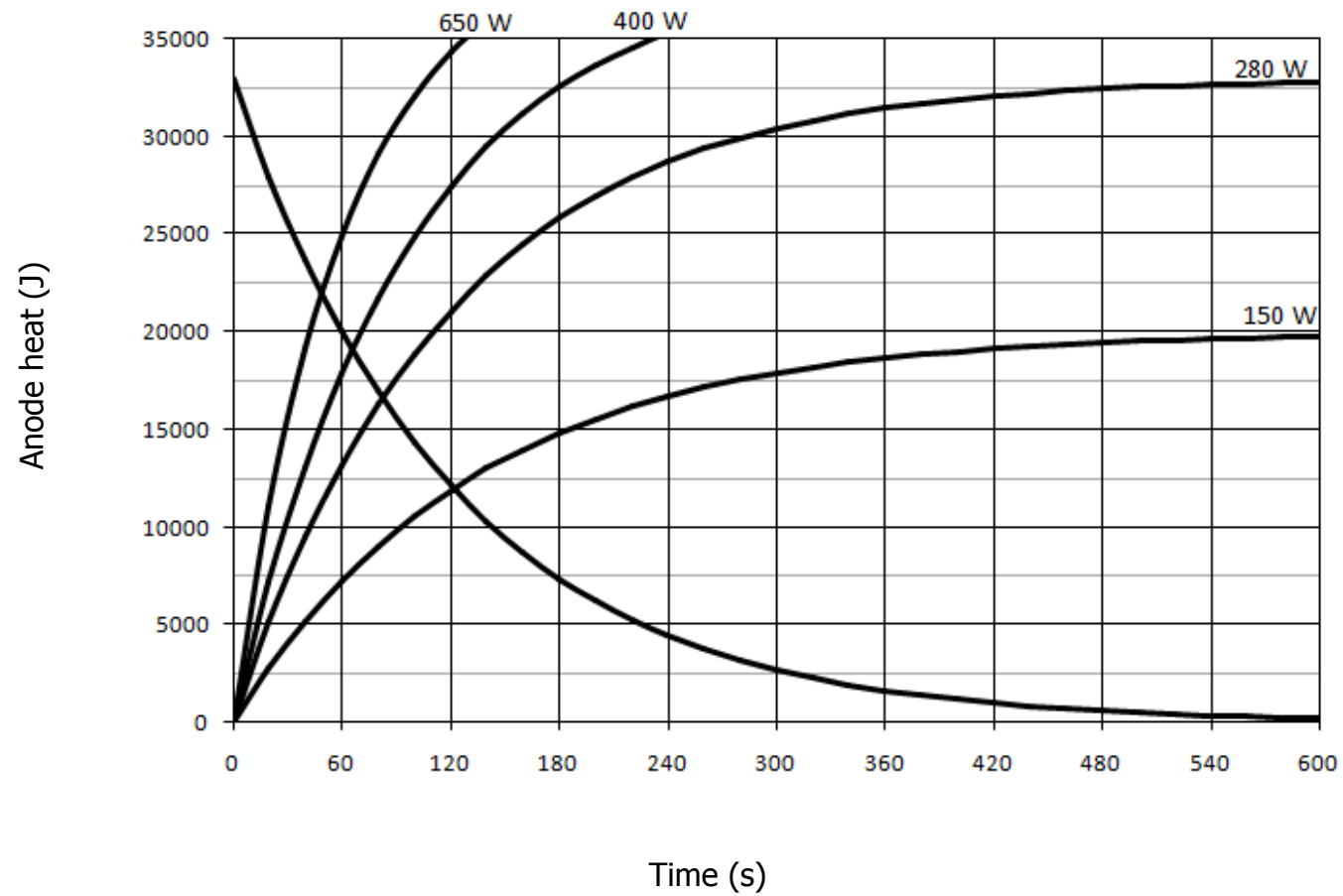
PIN DISPOSAL

(CATHODE SIDE VIEW)



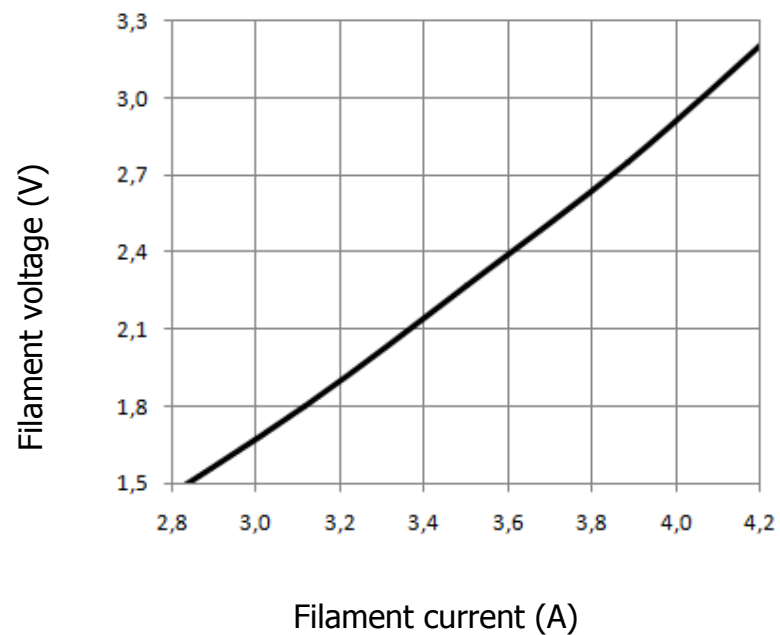


THERMAL CURVES

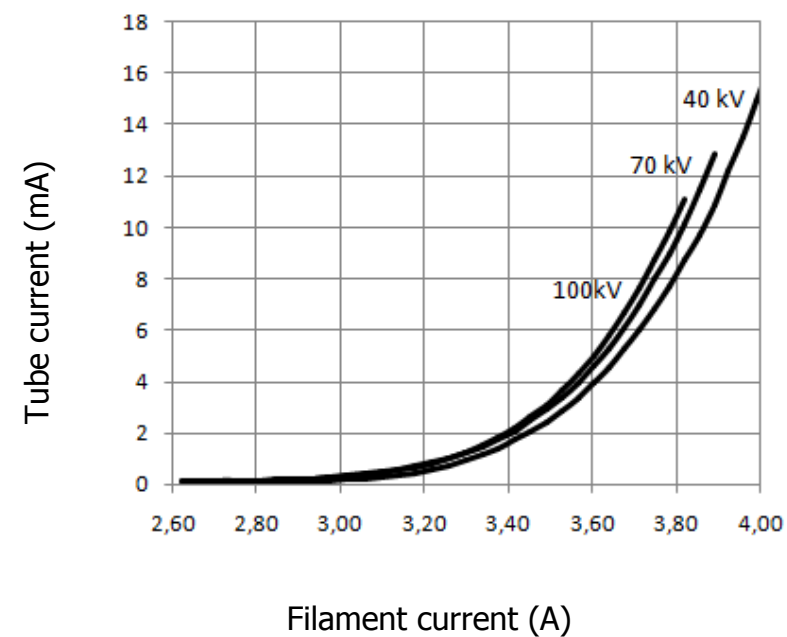




FILAMENT CHARACTERISTICS

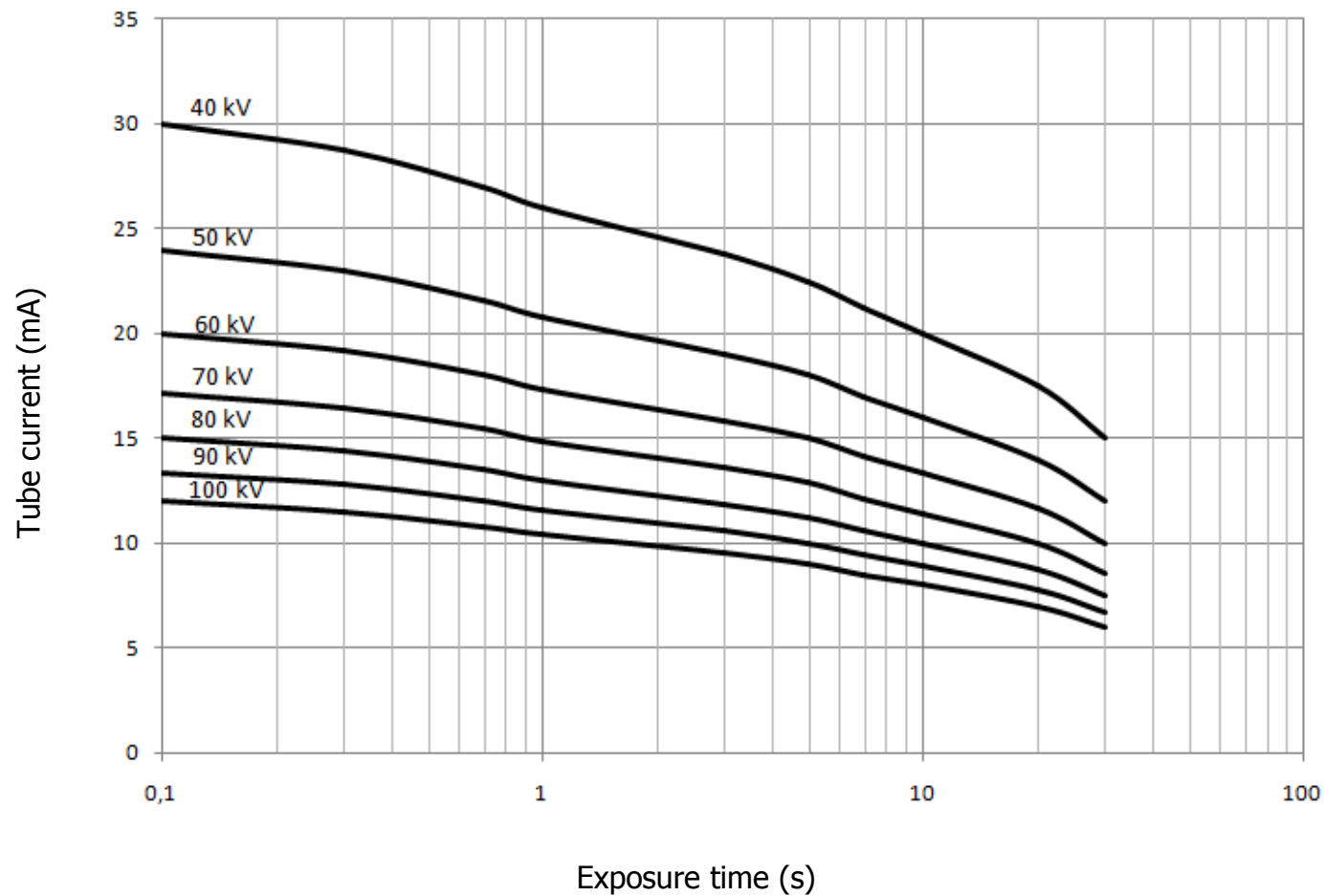


EMISSION CHARACTERISTICS DC





RATING CHARTS DC



**INFORMATION:**

Even if the tube is shipped after a long seasoning and testing cycle, it is always better to perform a quick seasoning before the first exposure. Please start the test cycle with the lowest kV possible in your machine, and increase the kV gradually with an incremental step of 5kV. For each step, perform at least 3 exposures maintaining the current parameter between 1mA and 2mA. A gap of few seconds between each of the exposures is advised. Increase the kV to the max kV as rated for the respective tube. In case of instability observed, reduce kV by one step. Once the kV reaches the nominal kV allowed for the respective tube, perform 3 exposures at the nominal power as requested for the concerned application.

Full seasoning is not required, when installing the machine. Nevertheless, if the tube head has been stored for more than 6 months, it is advised to perform few exposures at low kV and low power, before sending the machine to the final customer.